

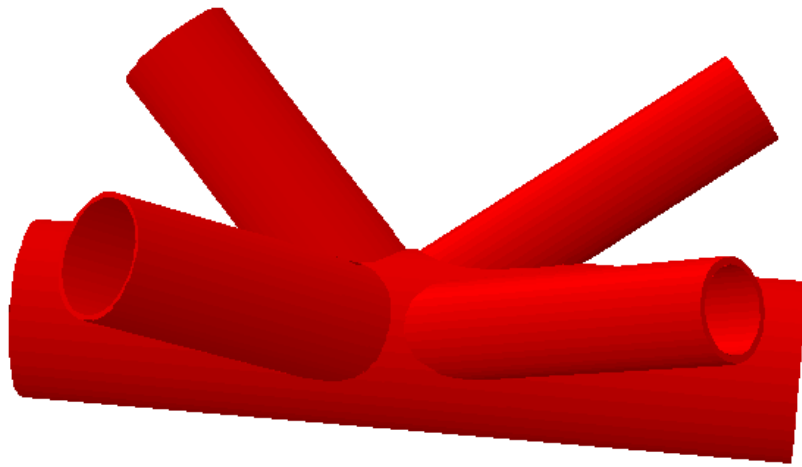


HOLLOW SECTIONS

STEEL HOLLOW SECTION CONNECTIONS
DESIGN | DETAILING | S14

Summary

Hollow Sections performs design checks on welded hollow section joints in lattice structures. The connecting members transmit axial force and can be circular, square, or rectangular hollow sections. The main chord can be I, H, or hollow profiles. Supported connection layouts include K, T, N, X, and Y joints and combinations thereof. The module allows you to enter factored design forces in the chord and braces.



After analysing and designing the connection, the module displays the calculations on a Calcsheet and gives you the options for printing the design output or sending the data to the Calcpad.

What makes this module special?

- Various connection layouts
- Detailed calculations
- 3D representation of connection



HOLLOW SECTIONS

STEEL HOLLOW SECTION CONNECTIONS
DESIGN | DETAILING | S14

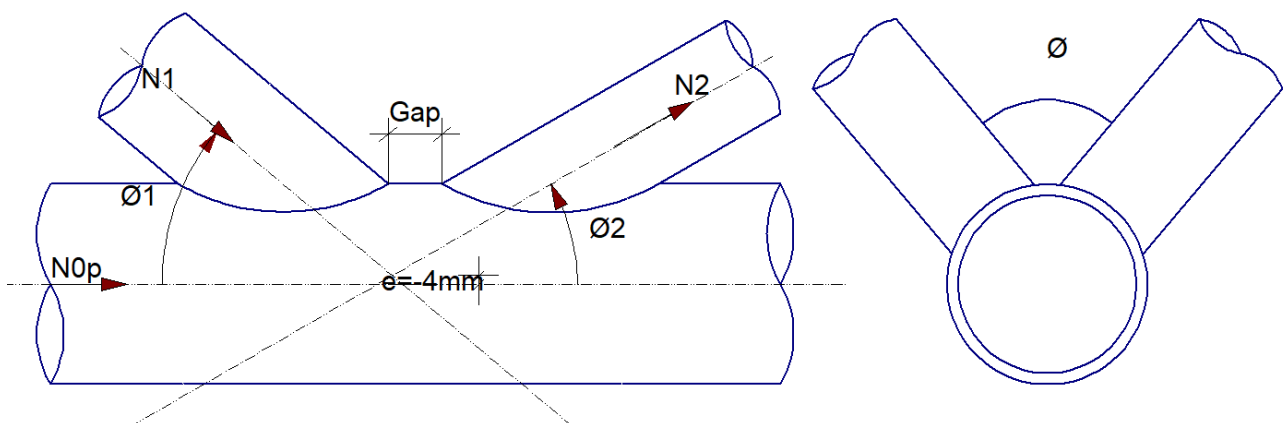
Detailed Description

All design calculations performed by the module are according to the recommendations given in Annex K of Eurocode 3 – 2005. The design checks are performed as prescribed in the code, including the following:

Geometrical evaluation of the connection to ensure compliance with the design code.

- Plastification of the chord
- Chord shear failure
- Punching shear of hollow chord wall

Upon completion of the design, detailed calculations are displayed on a Calcsheet and gives you the options for printing the design output or sending the data to your Calcpad.



Supported Design Codes

Design Codes

- Eurocode 3 - 2005